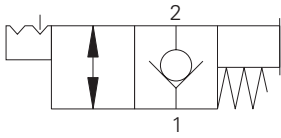


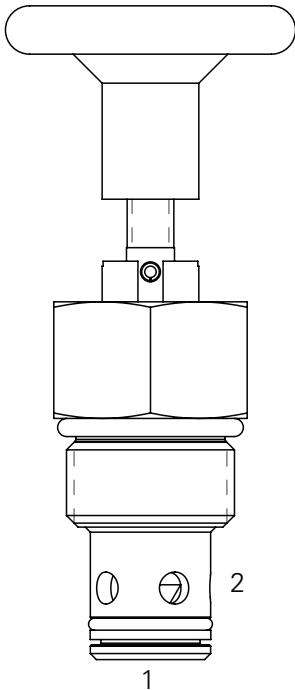
# MPV3-10 - Manual Pull Valve

Normally closed valve

45 L/min (11.9 USgpm) • 210 bar (3000 psi)



## Sectional View



## Performance Data

### Ratings and Specifications

Performance data is typical with fluid at 21,8 cST (105 SUS) and 49°C (120°F)

Typical application pressure (all ports)	210 bar (3000 psi)
Cartridge fatigue pressure (infinite life)	210 bar (3000 psi)
Rated flow	45 L/min (11.9 USgpm)
Internal leakage (port 2 to port 1)	5 drops/min. maximum @ 210 bar (3000 psi)
Temperature range	-40° to 120°C (-40° to 248°F)
Cavity	C-10-2
Fluids	All general purpose hydraulic fluids such as: MIL-H-5606, SAE 10, SAE 20 etc.
Filtration	Cleanliness code 18/16/13
Standard housing materials	Aluminum
Weight cartridge only	0,11 kg (0.24 lbs)
Seal kit	565803 (Buna-N), 566086 (Viton®)

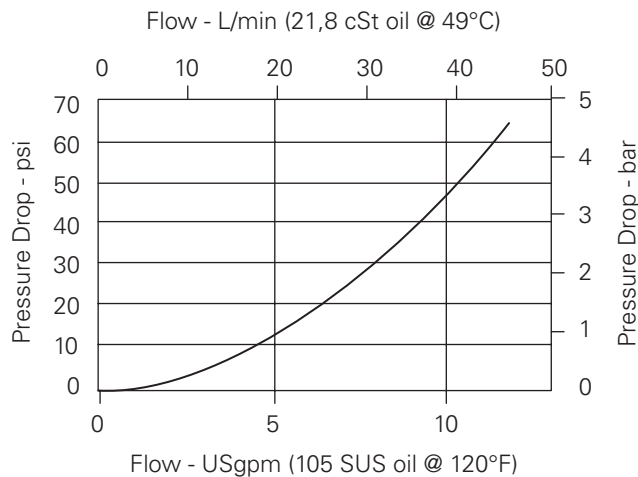
Viton is a registered trademark of E.I. DuPont

## Description

## Operation

## Features

## Pressure Drop



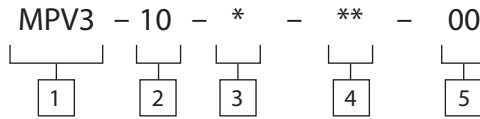
**WARNING**  
Back pressure of  
16 bar (240 psi)  
will unseat the poppet.

# MPV3-10 - Manual Pull Valve

Normally closed valve

45 L/min (11.9 USgpm) • 210 bar (3000 psi)

## Model Code



**1** Function  
MPV1 - Manual pull valve with detent

**2** Size  
10 - 10 size

**3** Seal Material  
Blank - Buna-N  
V - Viton®

**4** Port Size  
00 - Cartridge only

Code	Port Size	Housing Number	
		Aluminium Light Duty	Aluminium Fatigue Rated
3B	3/8" BSPP	02-175462	
6T	SAE 6	566151	
2G	1/4" BSPP	-	876702
3G	3/8" BSPP	-	876703
6H	SAE 6	-	876700
8H	SAE 8	-	876701

See section J for housing details.

**6** Special Features

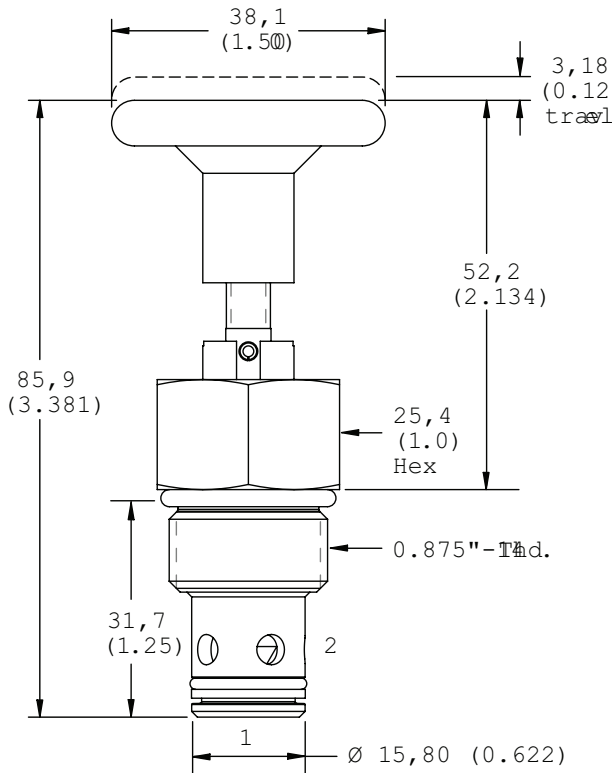
00 - None  
(Only required if valve has special features, omitted if "00.")

## Dimensions

mm (inch)

Torque cartridge in aluminum housing  
47-54 Nm (35-40 ft lbs)

### Cartridge Only



### Installation Drawing

