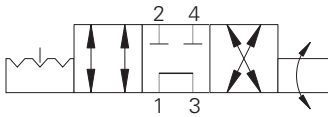


MRV14-16 - Manual Rotary Valve

Manual semi-rotary directional control valve

45 L/min (12 USgpm) • 350 bar (5000 psi)

3 position models



Operation

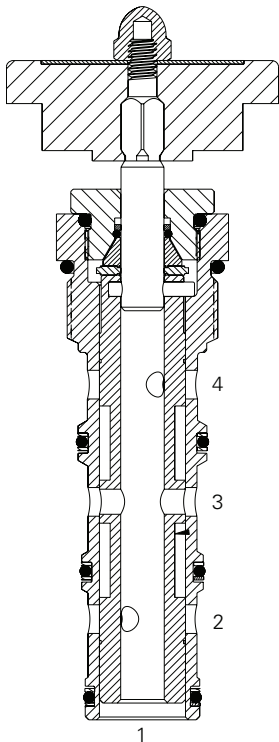
This valve will direct flow between ports 1 and 2 and ports 3 and 4 in one position.

By turning the operator 90°, flow will be directed between ports 1 and 4 and port 3 to port 2. During the cross-over transition, ports 2 and 4 are blocked and ports 1 and 3 are connected.

Features

Hardened, ground and honed working parts to limit leakage and prolong life. Various levers and knobs available with and without detent. Working pressure 350 bar.

Sectional View



D

Performance Data

Ratings and Specifications

Performance data is typical with fluid at 21,8 cSt (105 SUS) and 49°C (120°F)

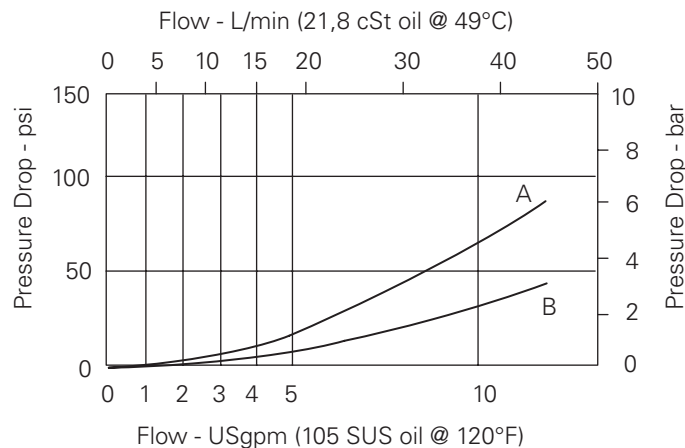
Typical application pressure (all ports)	350 bar (5000 psi)
Cartridge fatigue pressure (infinite life)	350 bar (5000 psi)
Rated flow	45 L/min (12 USgpm)
Internal leakage	300 cc/min (18in ³ /min) @ 350 bar (5000 psi)
Temperature range	-40° to 120°C (-40° to 248°F)
Manual operators	D - Lever (3-position detent)* D2 - Lever (2-position detent)* K - Knob (2-position, no detent)
Cavity	C-16-4
Fluids	All general purpose hydraulic fluids such as: MIL-H-5606, SAE 10, SAE 20, etc.
Filtration	Cleanliness code 18/16/13
Standard housing materials	Aluminum or Steel
Weight cartridge only	0.65 kg (1.43 lbs)
Seal kit	889634 (Buna-N), 889638 (Viton®)

* Light duty housing only.

Viton is a registered trademark of E.I. DuPont

Pressure Drop Curves

Cartridge only



Description

This is a high pressure 4 way 2 or 3 position manual semi-rotary directional control valve. In the center condition all ports are closed.

A - Port 3 to port 4 or 3 to 2

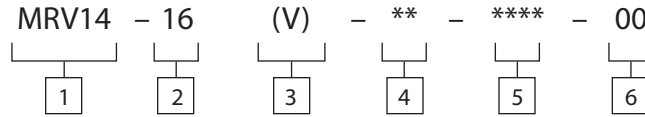
B - Port 4 to port 1 or 2 to 1

Where measurements are critical request certified drawings. We reserve the right to change specifications without notice.

MRV14-16 - Manual Rotary Valve

Manual semi-rotary directional control valve
45 L/min (12 USgpm) • 350 bar (5000 psi)

Model Code



1 Function

MRV14 - Manual rotary valve
4 way

2 Size

16 - 16 size

3 Seals

Blank - Buna-N
V - Viton®

4 Manual Operators

0 - No operator
D - Lever (3-position detent)
D2 - Lever (2-position detent)
K - Knob (2-position, no detent)

5 Port Size

0 - Cartridge only

6 Special Features

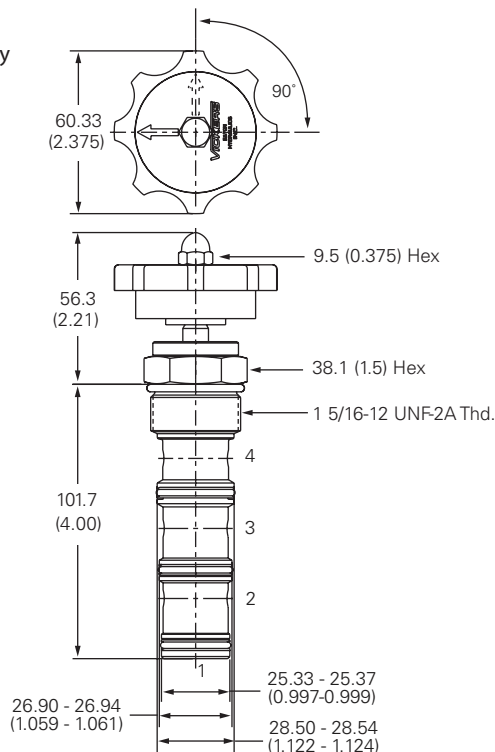
00 - Non (Only required if valve has special features, omitted if "00")

Code	Port Size	Housing Number		
0		Aluminum Light duty	Aluminum Fatigue rated	Steel
A12TA6B		A10H	A12H	A4G
A6G	S4G	S6G	S10T	
S12T				

Dimensions

mm (inch)

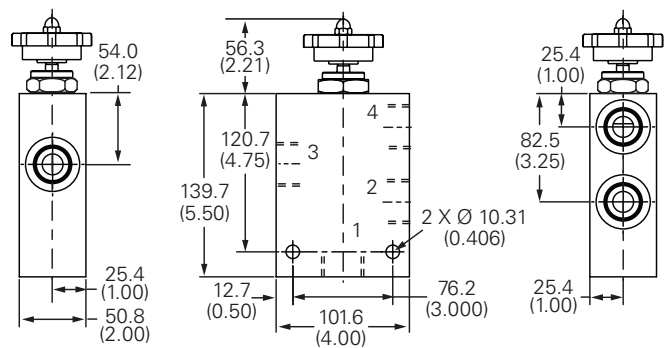
Cartridge Only



Torque cartridge in housing

A - 108-122 Nm (80-90 ft. lbs)
S - 136-149 Nm (100-110 ft. lbs)

Installation Drawing (Steel)



WARNING

Aluminum housings can be used for pressures up to 210 bar (3000 psi). Steel housings must be used for operating pressures above 210 bar (3000 psi).