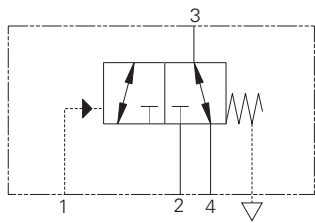


PTS5-16 - Pilot to Shift Valve

Pilot operated, directional control valve
132 L/min (35 USgpm) • 210 bar (3000 psi)



Operation

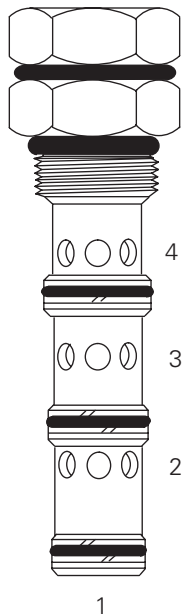
This valve allows flow between ports 3 and 4 while blocking port 2 until sufficient pressure has been applied to port 1 and the spring bias is overcome.

At this time, flow is directed between port 2 and port 3 while blocking port 4. During the cross-over transition, all ports are open. The spring chamber for this valve is externally vented to atmosphere.

Features

Hardened, ground and honed sleeve and spool for low internal leakage.

Sectional View



Performance Data

Ratings and Specifications

Performance data is typical with fluid at 21,8 cST (105 SUS) and 49°C (120°F)

Typical application pressure (all ports)	210 bar (3000 psi)
Cartridge fatigue pressure (infinite life)	210 bar (3000 psi)
Rated flow	132 L/min (35 USgpm)
Internal leakage	164 cc/min (10 in ³ /min) maximum @ 210 bar (3000 psi)
Temperature range	-40° to 120°C (-40° to 248°F)
Pilot pressures	40 - 2,75 bar (40 psi) 80 - 5,5 bar (80 psi) 160 - 11,0 bar (160 psi)
Pilot displacement volume	1,97 cm ³ (0.12 in ³)
Cavity	C-16-4
Fluids	All general purpose hydraulic fluids such as: MIL-H-5606, SAE 10, SAE 20, etc.
Filtration	Cleanliness code 18/16/13
Standard housing materials	Aluminum
Weight cartridge only	0,5 kg (1.12 lbs)
Seal kit	889634 (Buna-N), 889638 (Viton)

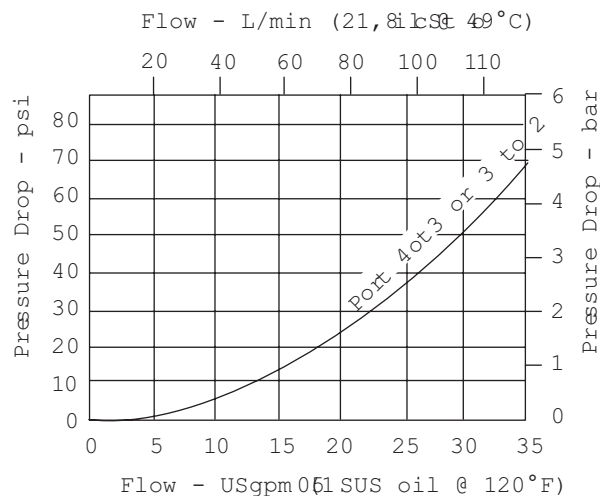
Viton is a registered trademark of E.I. DuPont

Description

This is a 3-way 2 position, pilot operated directional control valve ideal for selecting a function when the pilot pressure is applied or removed.

Pressure Drop Curves

Cartridge only

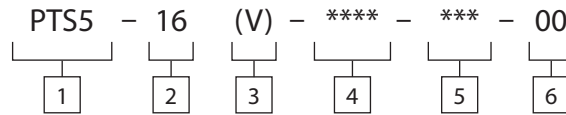


Where measurements are critical request certified drawings. We reserve the right to change specifications without notice.

PTS5-16 - Pilot to Shift Valve

Pilot operated, directional control valve
132 L/min (35 USgpm) • 210 bar (3000 psi)

Model Code



1 Function
PTS5 - Pilot to shift valve

2 Size
16 - 16 size

3 Seal Material
Blank - Buna-N
V - Viton®

4 Port Size

Code	Port Size	Housing Number		
		Aluminum Light Duty	Aluminum Fatigue Rated	Steel
0	Cartridge			
A12T	SAE 12	566411	-	-
A6B	3/4" BSPP	02-175468	-	-
A10H	SAE 10	-	876729	-
A12H	SAE 12	-	876731	-
A4G	1/2" BSPP	-	876728	-
A6G	3/4" BSPP	-	876730	-

See section J for housing details.

5 Pilot to shift (nominal)
40 - 2,75 bar (40 psi)
80 - 5,5 bar (80 psi)
160 - 11,0 bar (160 psi)

6 Special Features

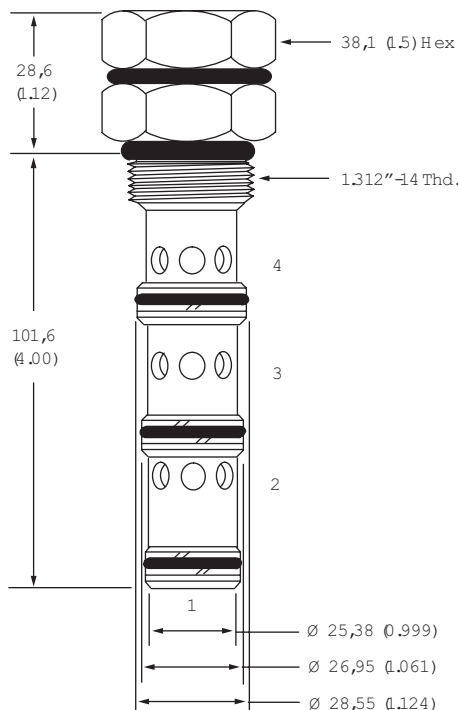
00 - None
(Only required if valve has special features, omitted if "00")

Dimensions

mm (inch)

Torque cartridge in aluminum
housing 108-122 Nm
(80-90 ft. lbs)

Cartridge Only



Installation Drawing

