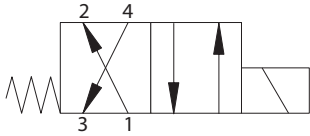


SV7-10-4/4P/4S - Solenoid Valve

4-way, 2-position, spool type solenoid valve
 17 L/min (5 USgpm) • 210 bar (3000 psi)

A



Operation

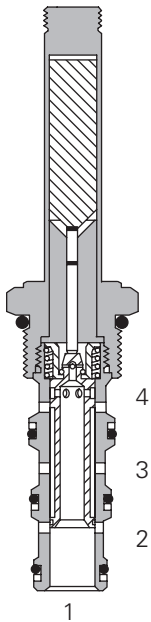
In the de-energized position this valve allows flow from port 3 to port 2 and from port 2 to port 1.

In the energized position flow is allowed from port 3 to port 1 and from port 4 to port 2.

Features

Hardened, ground and honed working parts to limit leakage. IP69K Tough coil compatibility. Continuously rated. Compact design with low pressure drop. Rated pressure on all ports.

Sectional View



Performance

Ratings and Specifications

Performance data is typical with fluid at 21,8 cSt (105 SUS) and 49° C (120° F)

Typical application pressure (all ports)	210 bar (3000 psi)
Cartridge fatigue pressure (infinite life)	210 bar (3000 psi)
Rated flow	17 L/min (5 USgpm)
Internal leakage	164 cm ³ /min (10 in ³ /min) max @ 210 bar (3000 psi)
Temperature range	-40° to 120°C (-40° to 248°F)
Coil duty	Continuous from 85% to 110% of nominal voltage
Cavity	C-10-4
Fluids	All general purpose hydraulic fluids such as: MIL-H-5606, SAE 10, SAE 20 etc.
Filtration	Cleanliness code 18/16/13
Housing material (standard)	Aluminum
Weight including coil	0,44 kg (0.96 lbs)
Seal kit	889625 (Buna-N), 566080 (Viton)

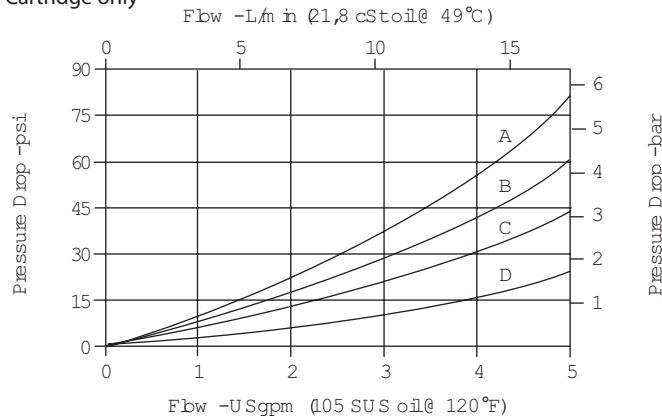
Viton is a registered trademark of E.I. DuPont

Description

This is a 4-way 2-position, direct acting, spool type solenoid valve. This valve can be used in applications where the motion of a double acting cylinder or a motor needs to be reversed.

Pressure Drop

Cartridge only



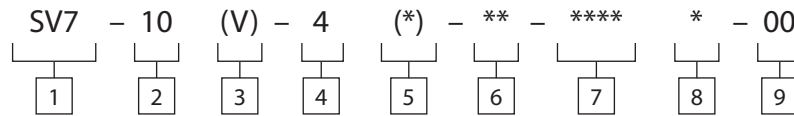
- A - Port 4 to port 1 energized
- B - Port 3 to port 2 energized
- C - Port 3 to port 4 de-energized
- D - Port 2 to port 1 de-energized

Where measurements are critical request certified drawings. We reserve the right to change specifications without notice.

SV7-10-4/4P/4S - Solenoid Valve

4-way, 2-position, spool type solenoid valve
17 L/min (5 USgpm) • 210 bar (3000 psi)

Model Code



1 Function	SV7 - Solenoid valve
2 Size	10 - 10 size
3 Seal Material	Blank - Buna-N V - Viton*
4 Style	4 - 4-way, 2-position
5 Manual Override Option	Blank - No manual override P - Push type S - Screw type For valve dimensions with manual override option installed see page A-980.

6 Port Size	Code	Port Size	Housing Number
	0	Cartridge only	
	3B	3/8" BSPP	02-179705*
	6T	SAE 6	566161*
	2G	1/4" BSPP	876709
	3G	3/8" BSPP	876715
	6H	SAE 6	876708
	8H	SAE 8	876713

*Light duty housing
See section J for housing details.

8 Connector Types	Blank - No coil G - ISO 4400 DIN 43650 Q - Spade terminals W - Flying lead N - Deutsch (DC only) Y - Amp JR (DC only) D - Metripack 150 male (DC only) J - Metripack 280 male (DC only)
--------------------------	--

Forcoilpartnumbersanddimensions see section C.

7 Voltage Rating	00 - No coil 12D - 12VDC 24D - 24VDC 36D - 36VDC	24A - 24VAC 115A - 115VAC 230A - 230VAC 12B - 12VDC/w diode* 24B - 24VDC/w diode*
-------------------------	---	---

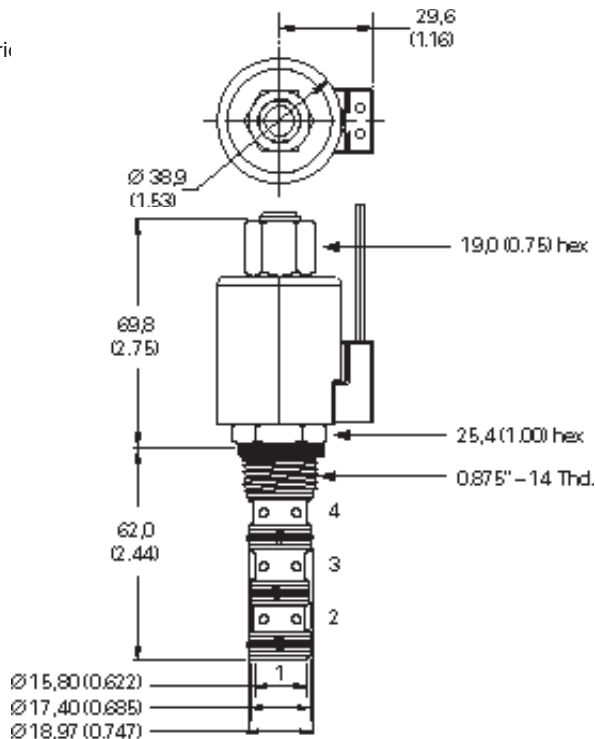
*Optional arc suppression diode.

9 Special Features	00 - None (Only required if valve has special features omitted if "00"). Note: Use J series 23 W coils with this solenoid valve.
---------------------------	--

Dimensions

mm (inch)

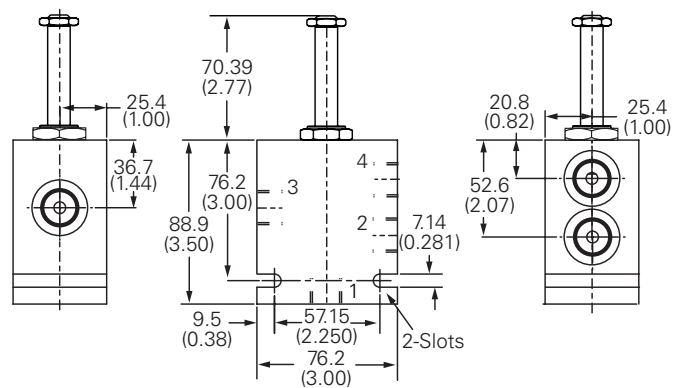
Cartri



Torque cartridge in steel housing 47-54 Nm (35-40 ft lbs)

Note: When solenoid valve is ordered as cartridge only, nut is included.

Installation Drawing



WARNING
Maintain 5-8 Nm (4-6 ft lbs) maximum torque on valve tube nut. Over tightening may cause valve failure.