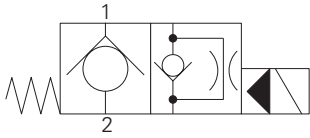


SV15-8-C/CM - Solenoid Valve

Poppet type, normally closed solenoid valve
37 L/min (10 USgpm) • 350 bar (5000 psi)

A



Operation

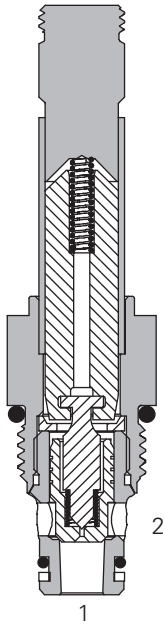
In the de-energized position the valve blocks flow from port 2 to 1 and free flow is allowed from port 1 to 2.

When the solenoid is energized the pilot poppet is pulled off the seat allowing the valve to open from port 2 to 1. In the reverse direction the flow is restricted by the pilot orifice.

Features

Hardened and ground working parts. Lapped seat for low leakage. IP69K Tough coil compatibility. Continuously rated. Compact design with low pressure drop. 350 bar working pressure.

Sectional View



Performance Data

Ratings and Specifications

Performance data is typical with fluid at 21,8 cST (105 SUS) and 49°C (120°F)

Typical application pressure (all ports)	350 bar (5000 psi)
Cartridge fatigue pressure (infinite life)	310 bar (4500 psi)
Rated flow	37 L/min (10 USgpm)
Internal leakage, port 2 to port 1	5 drops/min, max @ 210 bar (3000 psi)
Temperature range	-40° to 100°C (-40° to 212°F)
Coil duty	Continuous from 85% to 110% of nominal voltage
Cavity	C-8-2
Fluids	All general purpose hydraulic fluids such as: MIL-H-5606, SAE 10, SAE 20 etc.
Filtration	Cleanliness code 18/16/13
Housing material (standard)	Steel
Weight cartridge only	0,11 kg (0.25 lbs)
Seal kit	02-165875 (Buna-N), 02-165877 (Viton)

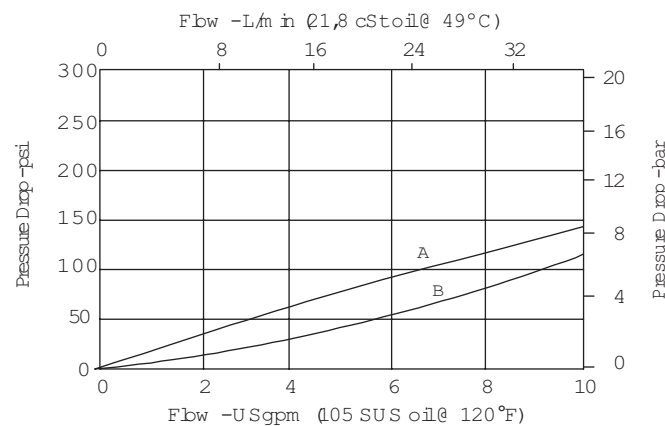
Viton is a registered trademark of E.I. DuPont

Description

This is a 2-way, 2-position, poppet type, high pressure, pilot operated, normally closed solenoid valve. This valve is used in applications requiring low leakage, such as load holding applications or as a general purpose diverter or dump valve.

Pressure Drop

Cartridge only



A - Port 1 to port 2

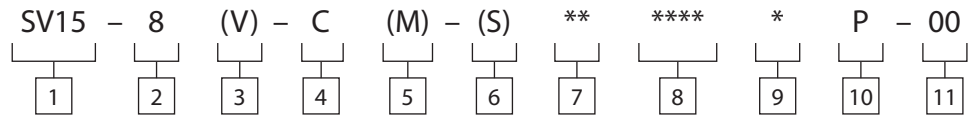
B - Port 2 to port 1

Where measurements are critical request certified drawings. We reserve the right to change specifications without notice.

SV15-8-C/CM - Solenoid Valve

Poppet type, normally closed solenoid valve
37 L/min (10 USgpm) • 350 bar (5000 psi)

Model Code



- 1** Function
SV15 - Solenoid valve

- 2** Size
8 - 8 size

- 3** Seal Material
Blank - Buna-N
V - Viton

- 4** Style
C - Normally closed

- 5** Manual Override Option
Blank - No manual override
M - Manual override
Forvalvedimensionswithmanualover-
rideoptioninstalledseepageA-980.

- 6** Valve Housing Material
Blank - Cartridge only
S - Steel

7 Port Size

Code	Port Size	Housing Number
0	Cartridge only	
2G	1/4" BSPP	02-160733
3G	3/8" BSPP	02-160734
4T	SAE 4	02-160736
6T	SAE 6	02-160737
8T	SAE 8	02-160738

See section J for housing details.

8 Voltage Rating

00 - No coil	24A - 24VAC
12D - 12VDC	115A - 115VAC
24D - 24VDC	230A - 230VAC
36D - 36VDC	12B - 12VDC/w diode*
	24B - 24VDC/w diode*

*Optional arc suppression diode.

- 9** Connector Types
- Blank - No coil
G - ISO 4400 DIN 43650
Q - Spade terminals
W - Flying lead
N - Deutsch (DC only)
Y - Amp JR (DC only)
D - Metripack 150 male (DC only)
J - Metripack 280 male (DC only)
-
- 10** Coil Series
P - 8 series, 23 W
Forcoilpartnumbersanddimensions
see section C.
-
- 11** Special Features
00 - None
(Only required if valve has special
features omitted if "00.")

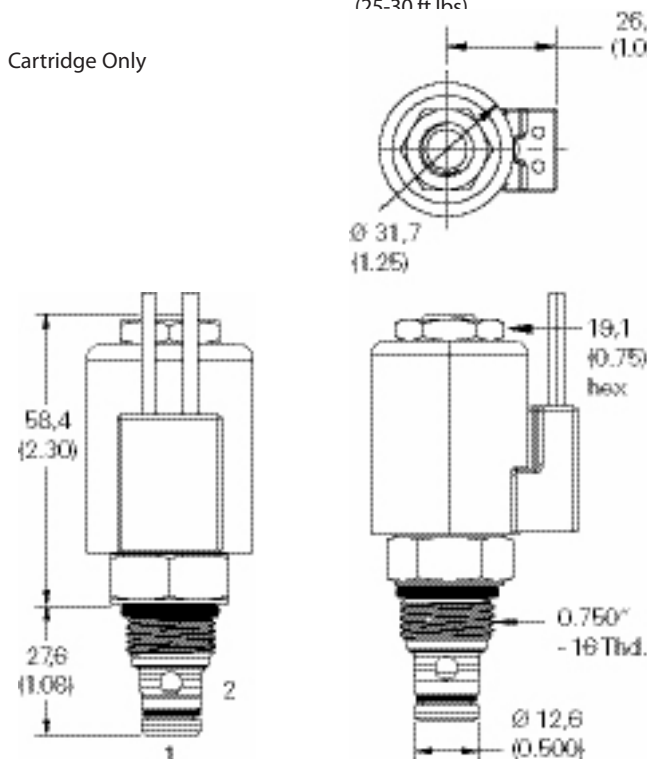
Dimensions

mm (inch)

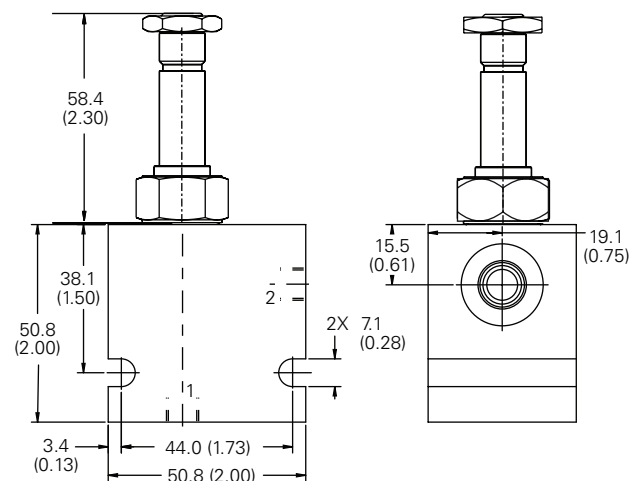
Cartridge Only

Torque cartridge in aluminum
or steel housing 34-41 Nm
(25-30 ft lbs)

Note: When solenoid valve is
ordered as cartridge only, coil
nut is included.



Installation Drawing



WARNING
Maintain 5-8 Nm
(4-6 ft lbs) maximum
torque on valve tube nut.
Over tightening may cause
valve failure.