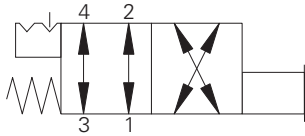


MSV17-12 - Manual Push Valve

Push and twist directional control valve
 20 L/min (5.3 USgpm) • 350 bar (5000 psi)



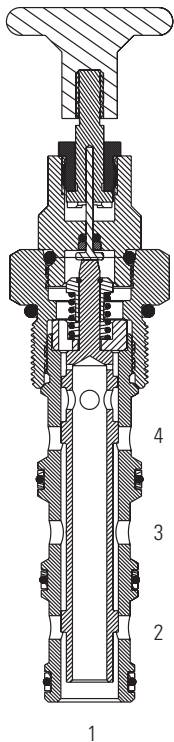
Operation

In the normal position, flow is allowed from port 3 to port 4 and from port 2 to port 1. In the actuated position, flow is allowed from port 3 to port 2 and from port 4 to port 1.

Features

Hardened, ground and honed sleeve and spool for low internal leakage. Detent allows valve to be fixed in position. Working Pressure 350 bar.

Sectional View



D

Performance Data

Ratings and Specifications

Performance data is typical with fluid at 21,8 cST (105 SUS) and 49°C (120°F)

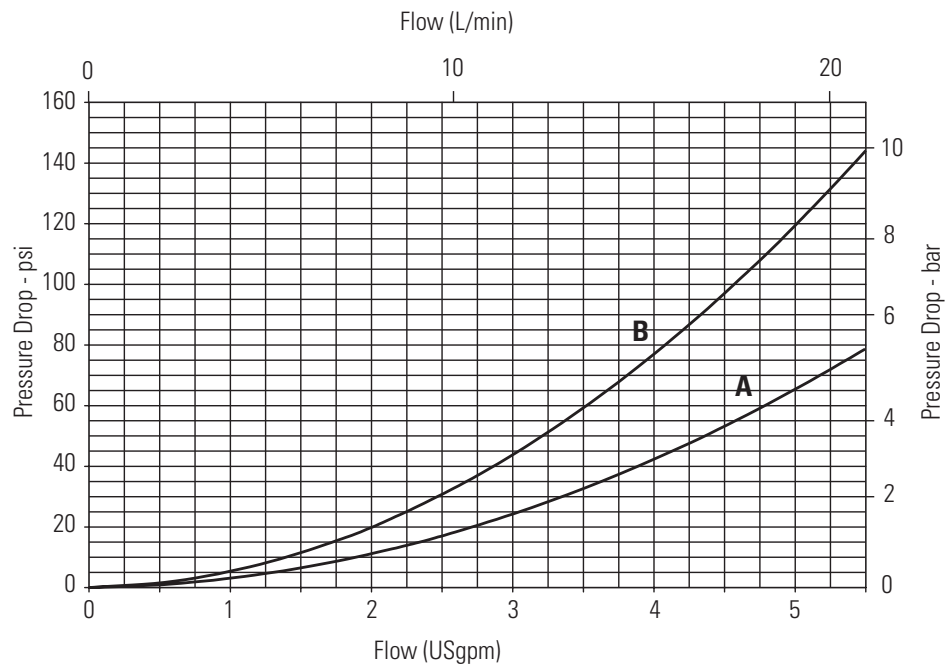
Typical application pressure (all ports)	350 bar (5000 psi)
Cartridge fatigue pressure (infinite life)	350 bar (5000 psi)
Rated flow	20 L/min (5 USgpm)
Internal leakage	350 cc/min (21.5 in ³ /min) @ 210 bar (3000 psi)
Temperature range	-40° to 120°C (-40° to 248°F)
Cavity	C-12-4
Fluids	All general purpose hydraulic fluids such as: MIL-H-5606, SAE 10, SAE 20, etc.
Filtration	Cleanliness code 18/16/13
Standard housing materials	Aluminum and Steel
Weight cartridge only	0,32 kg (0.71 lbs)
Seal kit	02-160979 (Buna-N), 02-160980 (Viton®)

Viton is a registered trademark of E.I. DuPont

Description

This valve is a manually operated high pressure push and twist to switch, 2 position 4 ported directional valve. This is ideal for reversing the direction of an actuator.

Pressure Drop



A - P4 to P1 and P3 to P2

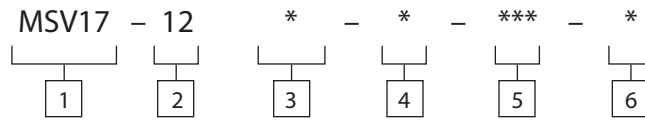
B - P2 to P1 and P3 to P4

Where measurements are critical request certified drawings. We reserve the right to change specifications without notice.

MSV17-12 - Manual Push Valve

Push and twist directional control valve
20 L/min (5.3 USgpm) • 350 bar (5000 psi)

Model Code



1 Function
MSV17 - 4-way, 2 position manual push valve

2 Size
12 - 12 size

3 Seals
Blank - Buna-N
V - Viton®

4 Actuation Option
L - 2 position 'push and twist' actuation, with detent
E - Emergency stop actuation
N - No detent, momentary actuation
K - Push and twist

5 Port Size
0 - Cartridge only

6 Special Features
Blank - No special features

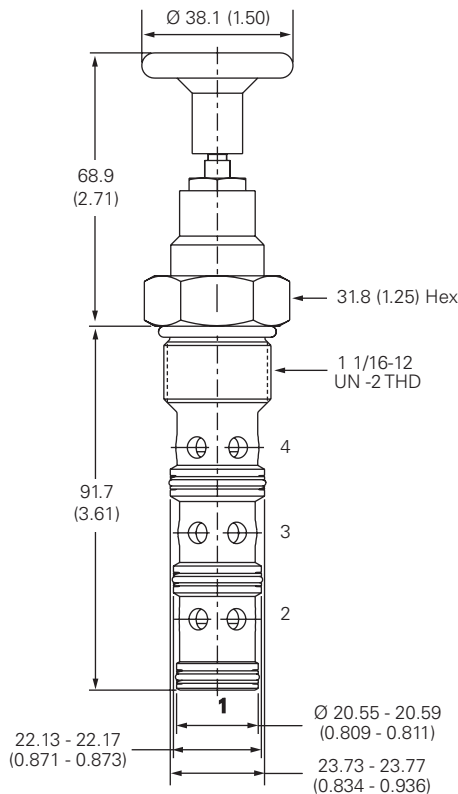
Code	Port Size	Housing Number	
		Aluminum	Steel
A6G	3/4" BSPP	5986432-001	
A10H	SAE 10	5986434-001	
A12H	SAE 12	5986436-001	
S6G	3/4" BSPP		5991073-001
S3G	3/8" BSPP		5991074-001
S6T	SAE 6		5991075-001

See section J for housing details.

Dimensions

mm (inch)

Cartridge Only

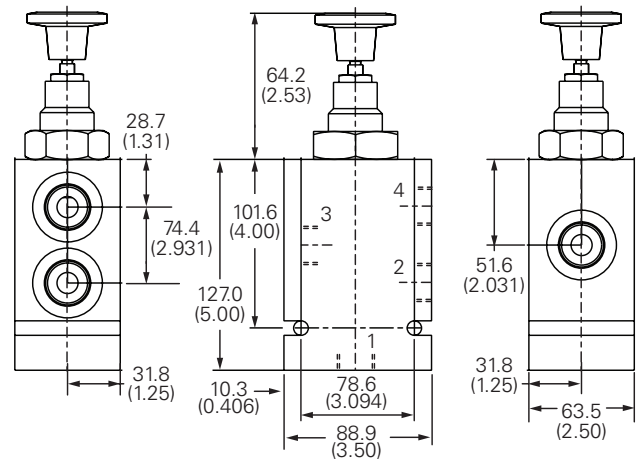


L, K & N Type Actuation

Torque cartridge in aluminium housing 81-95 Nm (60-70 ft. lbs)

Torque cartridge in steel housing 102-115 Nm (75-85 ft. lbs)

Installation Drawing (Steel)



WARNING

Aluminum housings can be used for pressures up to 210 bar (3000 psi). Steel housings must be used for operating pressures above 210 bar (3000 psi).